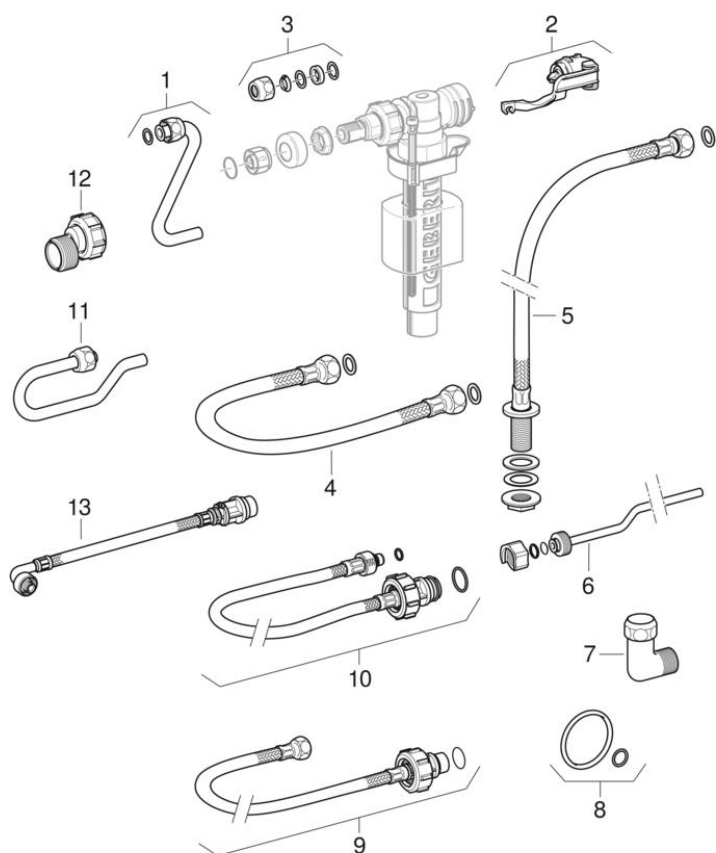


Fill valves type 380, lateral water supply connection

1999 -



Brand Geberit

Series Serie irrelevant

Type Typ 380, Typ 380AG

Characteristics

Year of manufacture from	1999
Range	Filling valve type 380

Valid for articles

240.705.00.1	240.718.00.1	240.784.00.1	242.388.00.1
281.004.00.1	244.510.00.1		

#	Art. no.	Description	Replacement for	Remarks
1	240.710.00.1	Geberit connection pipe for fill valve type 380		
2	240.771.00.1	Geberit operating part set for fill valve type 380		
3	294.833.21.1	Geberit cone screw fitting R 3/8": bright chrome-plated		
4	240.069.00.1	Geberit reinforced braided hose	99235003000	
5	261.358.00.1	Geberit connection hose with union nut, for fill valve type 380		
6	240.047.00.1	Geberit connection pipe for fill valve type 380		
7	240.712.00.1	Geberit elbow adapter union		
8	240.922.00.1	Geberit set of seals for reinforced braided hose		
9	240.989.00.1	Geberit reinforced braided hose	216.602.00.1	For exposed cistern
10	240.921.00.1	Geberit reinforced braided hose for concealed cistern: DN=8, L=33.3cm, G=3/8"		For concealed cistern
11	240.017.00.1	Geberit rear centre water supply connection set		
12	240.711.00.1	Geberit eccentric pipe connector for fill valve type 380		
13	240.629.00.1	Geberit reinforced braided hose for Kappa concealed cistern 15 cm	240.846.00.1	