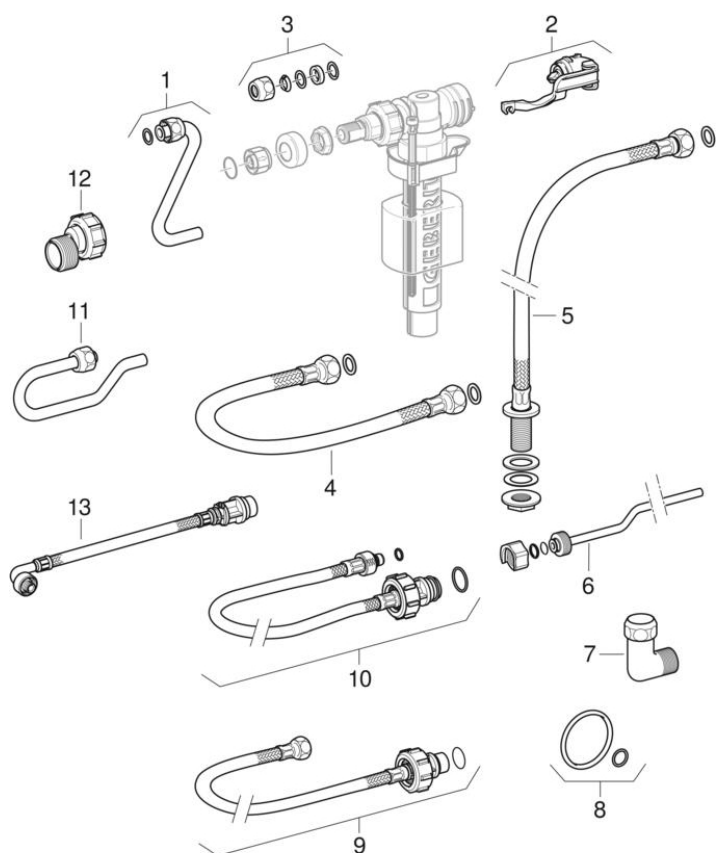


Fill valves type 380, lateral water supply connection

1999 -



Brand Geberit

Series Serie irrelevant

Type Typ 380, Typ 380AG

Characteristics

| | |
|--------------------------|------------------------|
| Year of manufacture from | 1999 |
| Range | Filling valve type 380 |

Valid for articles

| | | | |
|--------------|--------------|--------------|--------------|
| 240.705.00.1 | 240.718.00.1 | 240.784.00.1 | 242.388.00.1 |
| 281.004.00.1 | 244.510.00.1 | | |

| # | Art. no. | Description | Replacement for | Remarks |
|----|--------------|---|-----------------|-----------------------|
| 1 | 240.710.00.1 | Geberit connection pipe for fill valve type 380 | | |
| 2 | 240.771.00.1 | Geberit operating part set for fill valve type 380 | | |
| 3 | 294.833.21.1 | Geberit cone screw fitting R 3/8": bright chrome-plated | | |
| 4 | 240.069.00.1 | Geberit reinforced braided hose | 99235003000 | |
| 5 | 261.358.00.1 | Geberit connection hose with union nut, for fill valve type 380 | | |
| 6 | 240.047.00.1 | Geberit connection pipe for fill valve type 380 | | |
| 7 | 240.712.00.1 | Geberit elbow adapter union | | |
| 8 | 240.922.00.1 | Geberit set of seals for reinforced braided hose | | |
| 9 | 240.989.00.1 | Geberit reinforced braided hose | 216.602.00.1 | For exposed cistern |
| 10 | 240.921.00.1 | Geberit reinforced braided hose for concealed cistern: DN=8, L=33.3cm, G=3/8" | | For concealed cistern |
| 11 | 240.017.00.1 | Geberit rear centre water supply connection set | | |
| 12 | 240.711.00.1 | Geberit eccentric pipe connector for fill valve type 380 | | |
| 13 | 240.629.00.1 | Geberit reinforced braided hose for Kappa concealed cistern 15 cm | 240.846.00.1 | |